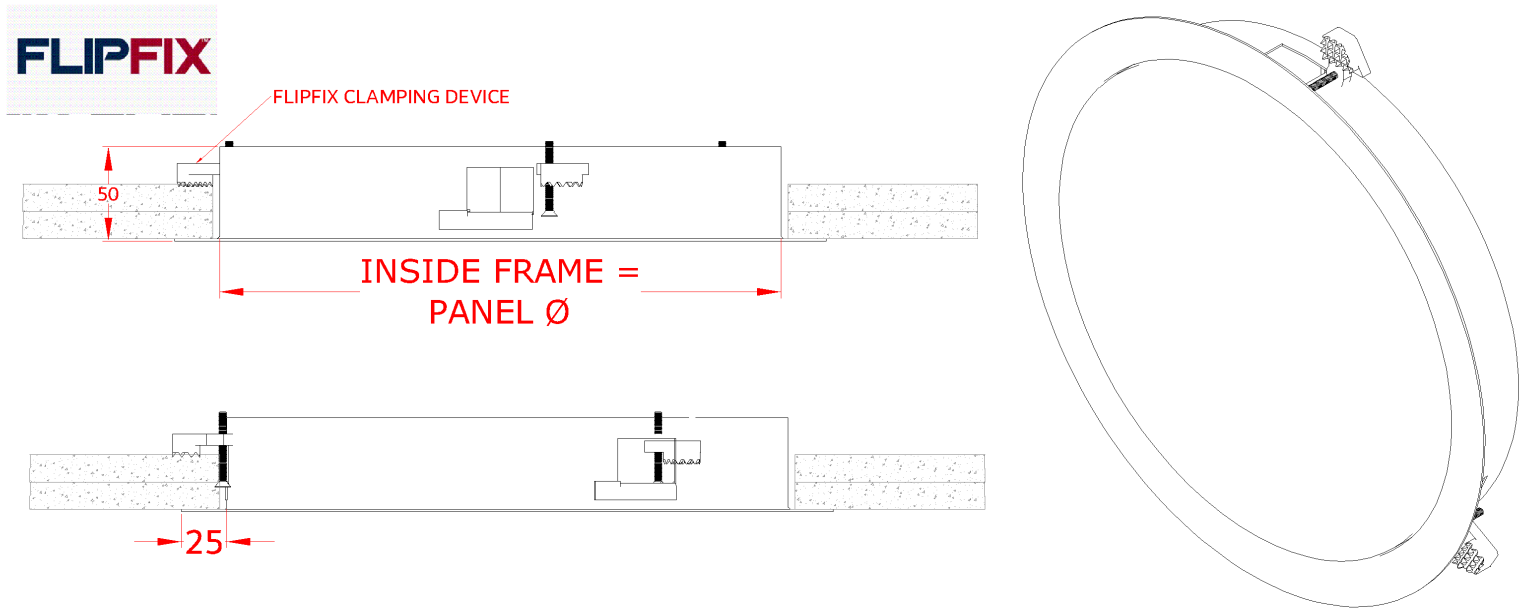


The FF-060-MD-PF-NL-CIR-SW Access Panels are suitable for ceilings where regular maintenance to services is required. Fitting requires no battening of the structural opening due to the FlipFix Device which clamps the frame on to the rear of the boards.



Introduction

The FF-060-MD-PF-NL-CIR-SW range of Access Panels are simple to install and suitable for ceilings only where regular maintenance to services is required. Fitting requires no battening out of the structural opening due to the unique FlipFix Device which clamps the frame on to the rear of the boards.

Description

This panel is designed to fit into a structural membrane of a joint-less plasterboard wall & ceiling system. It is manufactured with a 25mm wide picture frame. The panel has a Metal faced door. The Panels Door Leaf is held in place by a twist and locate action. The Panel is fitted with a Safety Wire to prevent the door falling uncontrollably on opening. The Panel is Powder Coated RAL 9010 30% Gloss. Other colours available upon request. This panel is for inspection use only and are not suitable for personnel access.

Tests

The Panel is 1 Hour Fire Rated for integrity up to 600mm diameter in a ceiling application tested in accordance with BS EN 1364-2: 2018 and additional guidance of BS EN 1634-1.

The Panel is Non acoustic rated.

The Panel is not Air Pressure tested.

The Panel is not Smoke Tested.

Seals

Draught Seals **NO** Smoke Seals **NO** Air Seals **NO** Acoustic Seals **NO** Intumescent Seals **NO**

Manufacture

The FF-060-MD-PF-NL-CIR-SW is manufactured from Zintec Steel with a 0.9mm thick Door and a 0.9mm thick Frame.

Fitting

Make sure the structural opening is at least 5mm larger than the panel size, back of frame size. E.G a 600mm Diameter panel size requires a 605mm hole size. You don't need to remove the door, just open the panel using the budget lock key provided, place the panel into the aperture. Tighten the FlipFix device via the fixing screw behind the door leaf to clamp on the back of the plasterboard (The FlipFix device covers boards from 8mm to 32mm) Lock the door in place; the door and frame should be flush. Sit back and relax, you've just saved yourself 20 minutes.